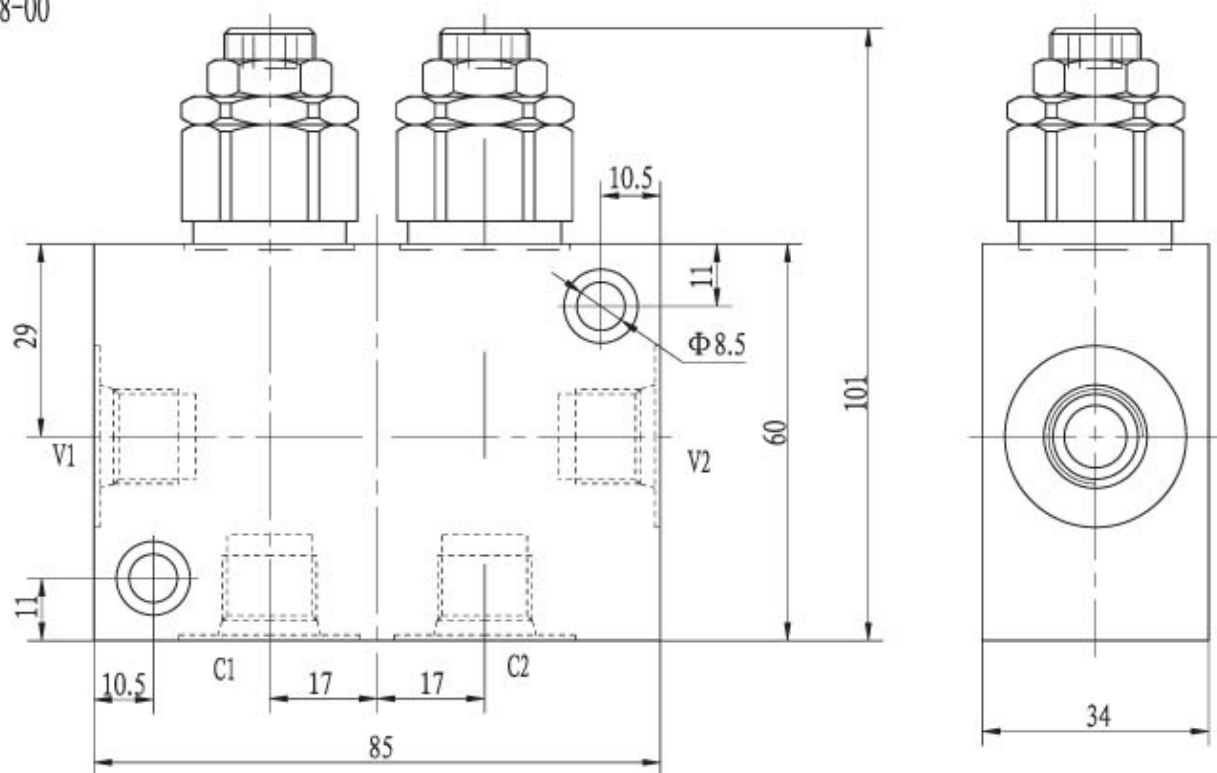


PF08-00



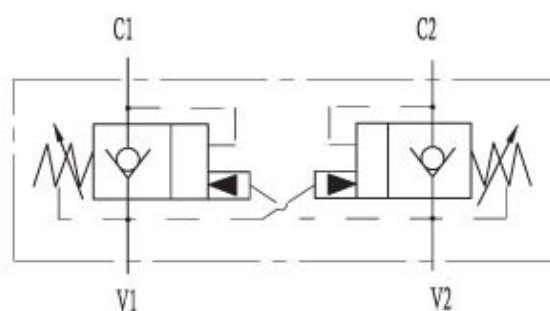
技术参数:

Specifications:

最大工作压力: Max. Working Pressure	207bar/315bar
可通过最大流量: Flow Max.	见压力-流量曲线 See Performance
调压范围: Pressure Adjust Range	0~210bar
内泄漏量: Internal Leakage	≤5drops/min (At 75% of Setting Pressure)
使用温度: Temperature	-30~+110℃ (丁腈橡胶) Standard Buna Seals
导压比例: Pilot Ratio	4: 1
阀体材质: Body Material	超硬铝Lc4/钢45 Al Lc4/Steel 45
油口尺寸: Port Size	G1/4、G3/8

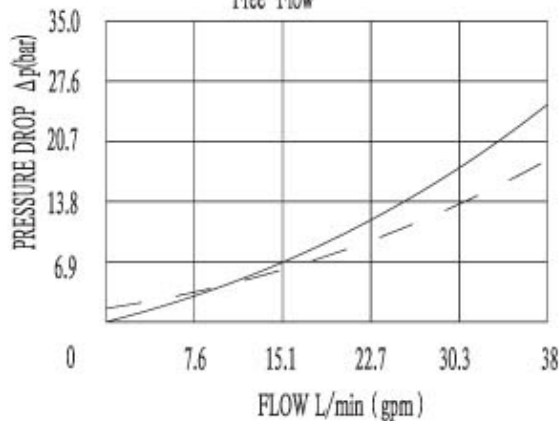
机能符号:

Symbol:

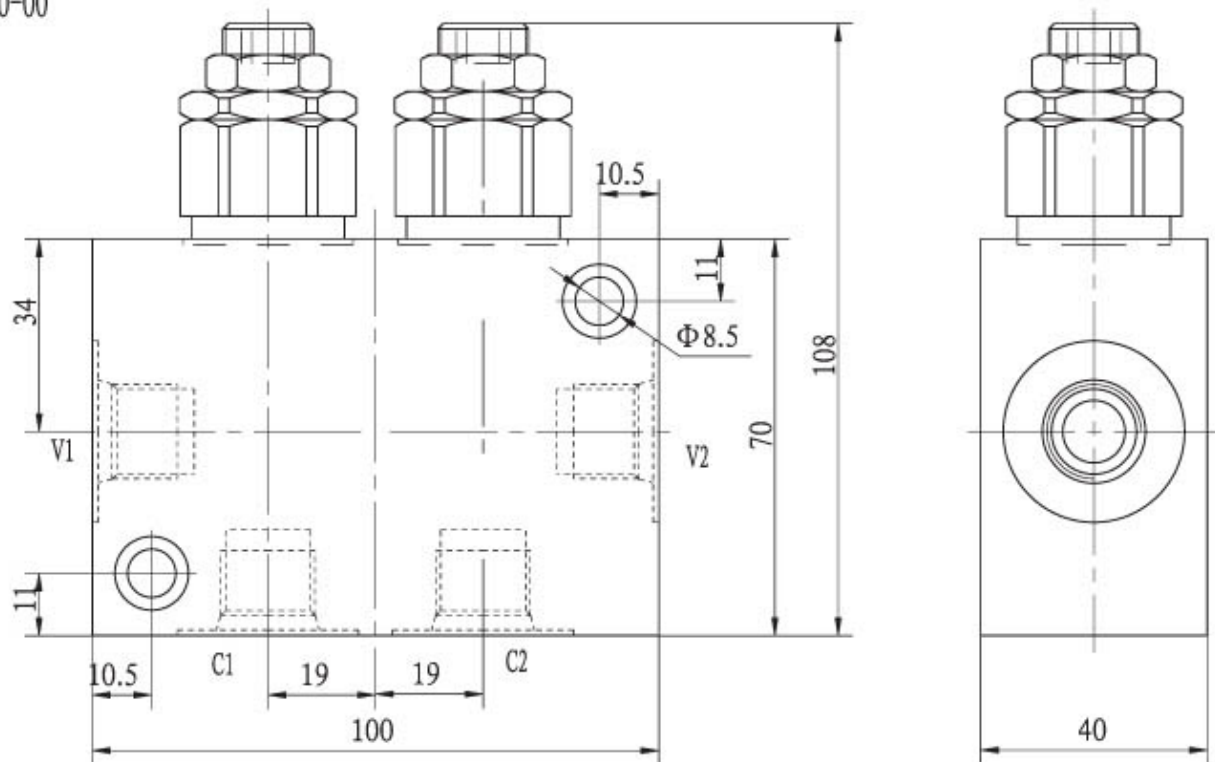


压力-流量曲线: 32 cST Oil/45° C

Performance: 先导开
Pilot Open
自由流
Free Flow



PF10-00



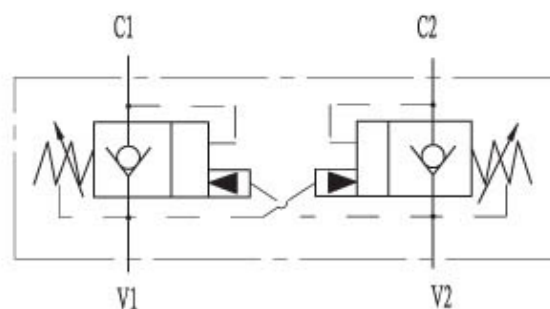
技术参数:

Specifications:

最大工作压力:	207bar/315bar
Max. Working Pressure	
可通过最大流量:	见压力-流量曲线
Flow Max.	See Performance
调压范围:	0 ~ 210bar
Pressure Adjust Range	
内泄漏量:	< 5drops/min
Internal Leakage	(At 75% of Setting Pressure)
使用温度:	-30 ~ +110°C (丁腈橡胶)
Temperature	Standard Buna Seals
导压比例:	4: 1
Pilot Ratio	
阀体材质:	超硬铝Lc4/钢45
Body Material	Al Lc4/Steel 45
油口尺寸:	G1/4, G3/8
Port Size	

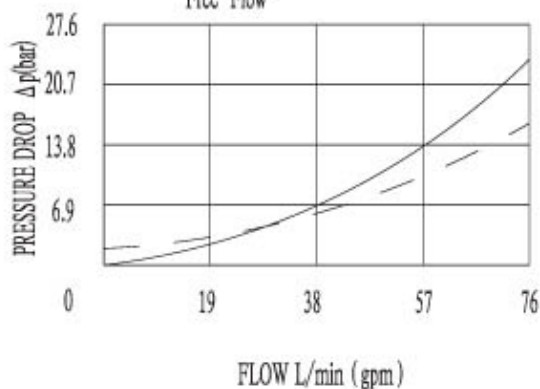
机能符号:

Symbol:

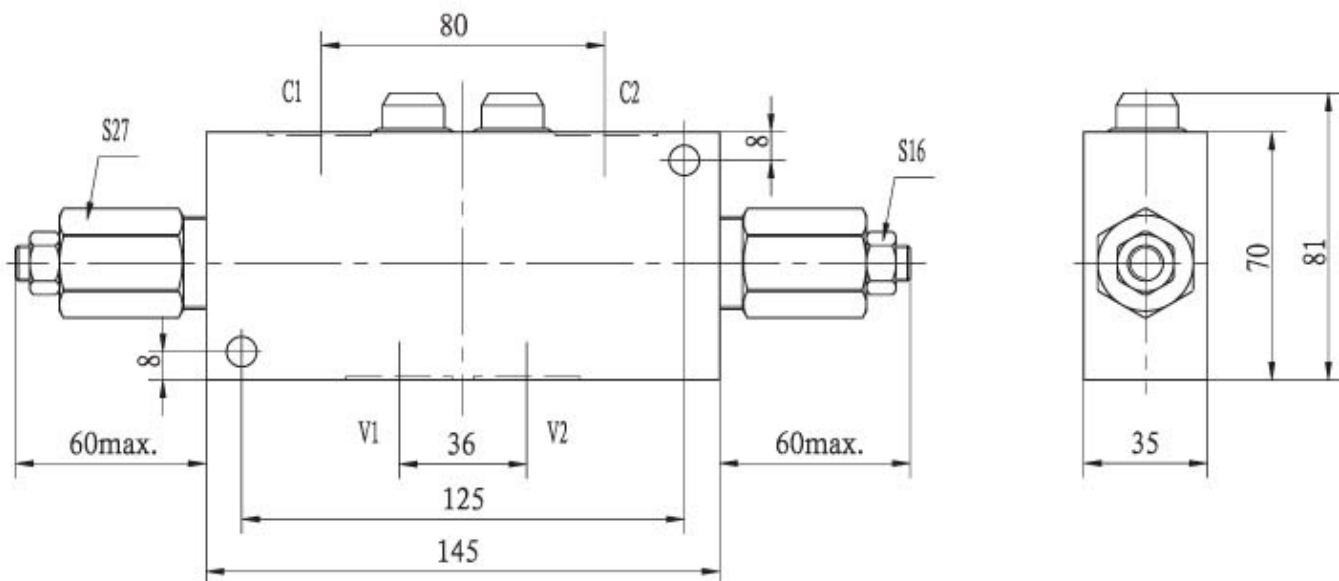


压力-流量曲线: 32 cST Oil/45° C

Performance: 先导开 (Pilot Open)
自由流 (Free Flow)



FPF20-01-00



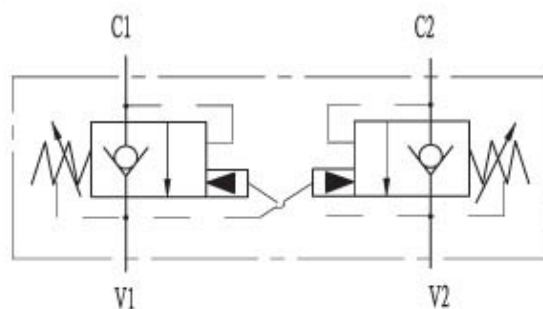
技术参数:

Specifications:

最大工作压力: Max. Working Pressure	207bar/350bar
可通过最大流量: Flow Max.	见压力-流量曲线 See Performance
调压范围: Pressure Adjust Range	60 ~ 207bar/60 ~ 350bar
使用温度: Temperature	-30 ~ +110°C (丁腈橡胶) Standard Buna Seals
内泄漏量: Internal Leakage	< 5drops/min (At 75% of Setting Pressure)
油液清洁度: Filtration of Oil	25 μm or better
导压比例: Pilot Ratio	8.15:1
阀体材质: Body Material	超硬铝Lc4/钢45 Al Lc4/Steel 45
油口尺寸: Port Size	G1/2, G3/8

机能符号:

Symbol:

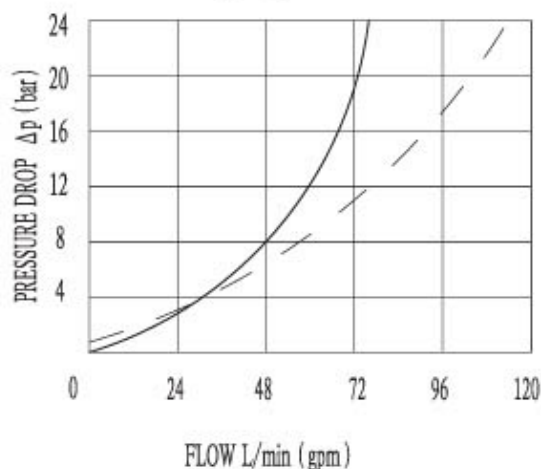


压力-流量曲线:

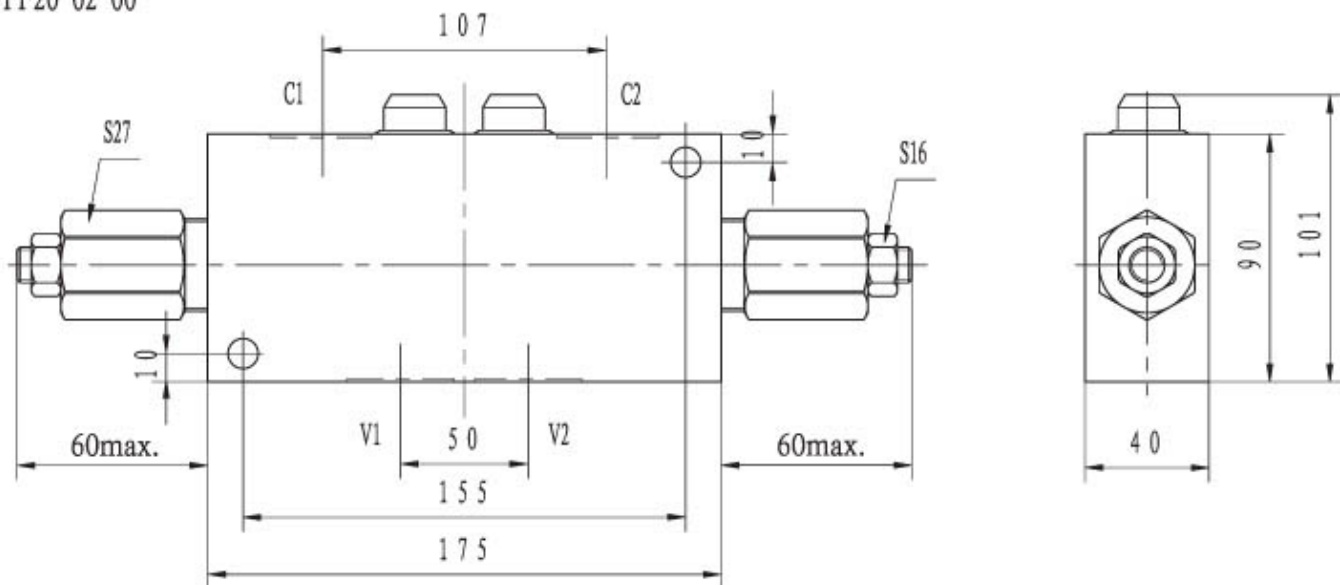
Performance:

32 cST Oil/45° C

V2—C2 ———
C2—V2 - - - -



FPF20-02-00



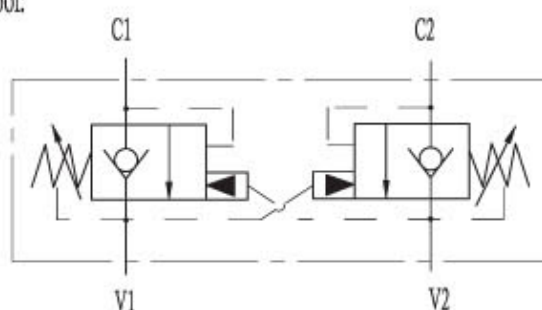
技术参数:

Specifications:

最大工作压力:	207bar/350bar
Max. Working Pressure	
可通过最大流量:	见压力-流量曲线
Flow Max.	See Performance
调压范围:	60 ~ 207bar/60 ~ 350bar
Pressure Adjust Range	
内泄漏量:	< 5drops/min
Internal Leakage	(At 75% of Setting Pressure)
使用温度:	-30 ~ +110°C (丁腈橡胶)
Temperature	Standard Buna Seals
油液清洁度:	25 μm or better
Filtration of Oil	
控制比:	3:1
Pilot Ratio	
阀体材质:	超硬铝Lc4/钢45
Body Material	
油口尺寸:	G3/4, G1/2
Port Size	

机能符号:

Symbol:



压力-流量曲线:

Performance:

32 cST Oil/45° C
 V2—C2 ———
 C2—V2 ———

